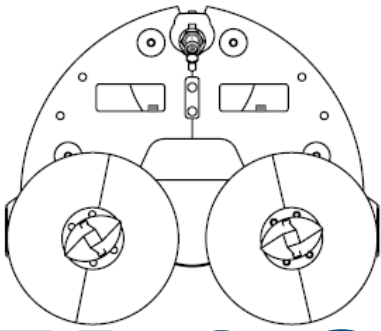


**WOMA Tank
Cleaning
Robot**



TRACKER

Peak Power 11 kW



100%











The robot WOMA **TRACKER** is an hydraulic remote controlled robot designed to accomplish works in confined spaces. Its compact dimensions allow the entrance inside several manhole. The traction of the machine is done by original screw system and the innovative design allows the robot to remove heavy slurry. The machine can work complete submerged. As instance the machine can be immersed in lagoon to remove the deposit at the bottom. Washing, suction and inspection are just some of the task that can be accomplish. The robot is fed by a power pack which is positioned in a safe area. All the movements of the robot are done remotely by the operator.

Main Features:

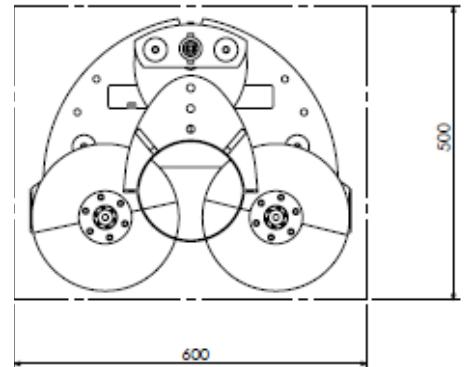
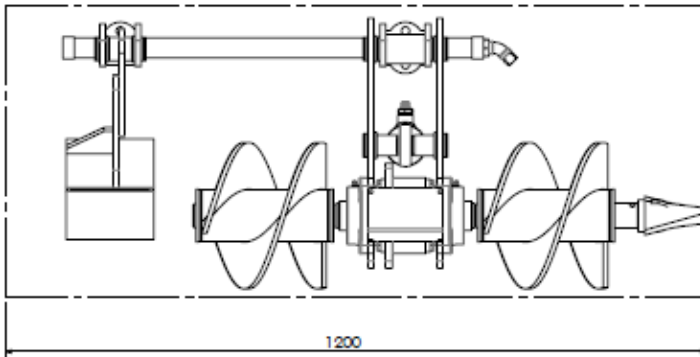
- SCREW DRIVE SYSTEM
- 5" SUCTION HOSE
- REMOTE CONTROL
- VIDEOCAMERA
- LED WORKING LIGHT
- MOVEABLE SCREW

Technical features

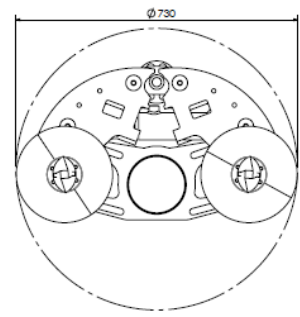
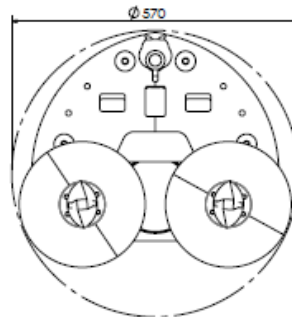


	1200 x 600 x 500 mm		Connection 5"
	Electro-hydraulic power pack		Q=30 lt/min; P= 160 bar
	400V (220V)		D=600mm
	Power 11 kW		130 kg

Dimensions



Working area



WOMA (Australia) Pty Ltd.
 T: +61 8 9434 6622
 E: hpwater@woma.com.au
 W: www.woma.com.au

